

Pickman

Efficient, powerful and 100% electric



KAIYUN MOTORS

electric utility vehicles



Pickman Classic

The Pickman Classic offers 2 comfortable seats, a usable load area of 1620mm x 1250mm and a high payload of 600 kg.



Go Green

"Sustainability, environmental awareness and climate protection".

But cheaper energy costs per kilometer and the fun of driving an electric drive also persuade users to buy an electric commercial vehicle from Kaiyun Motos.

And you don't have to worry about an available charging station: You can conveniently charge all Pickman models from Kaiyun Motors at a 220-volt household outlet within 8 to 10 hours.



KAIYUN MOTORS

electric utility vehicles





Pickman Cargo

The Pickman Cargo offers 2 comfortable seats, a usable loading area of 1525mm x 1230mm x 995mm (LxWxH = 1,87 m³) and a high payload of high payload of 550 kg.



the**Pickman**.eu

King of the short haul.

The Pickman is revolutionizing the commercial vehicle market.

Powered 100% electrically, the Pickman reaches a top speed of 50 km/h and, with its maximum range of 120 km, is one of the most economical commercial vehicles in short-haul supply.

Powerful and efficient, it is ready for big tasks. At the same time, it is environmentally friendly and economical.

Kaiyun Motors offers an affordable and highly efficient short-haul transport solution with the Pickman models.

Comprehensive safety and comfort features.

The robust and durable body, made of pressed and welded steel sheets, has successfully passed various crash tests. The Pickman meets the latest safety standards.

The large windscreen provides a perfect view and the wide rear window guarantees a first-class overview when maneuvering backwards.

And where will you be driving your Pickman tomorrow?

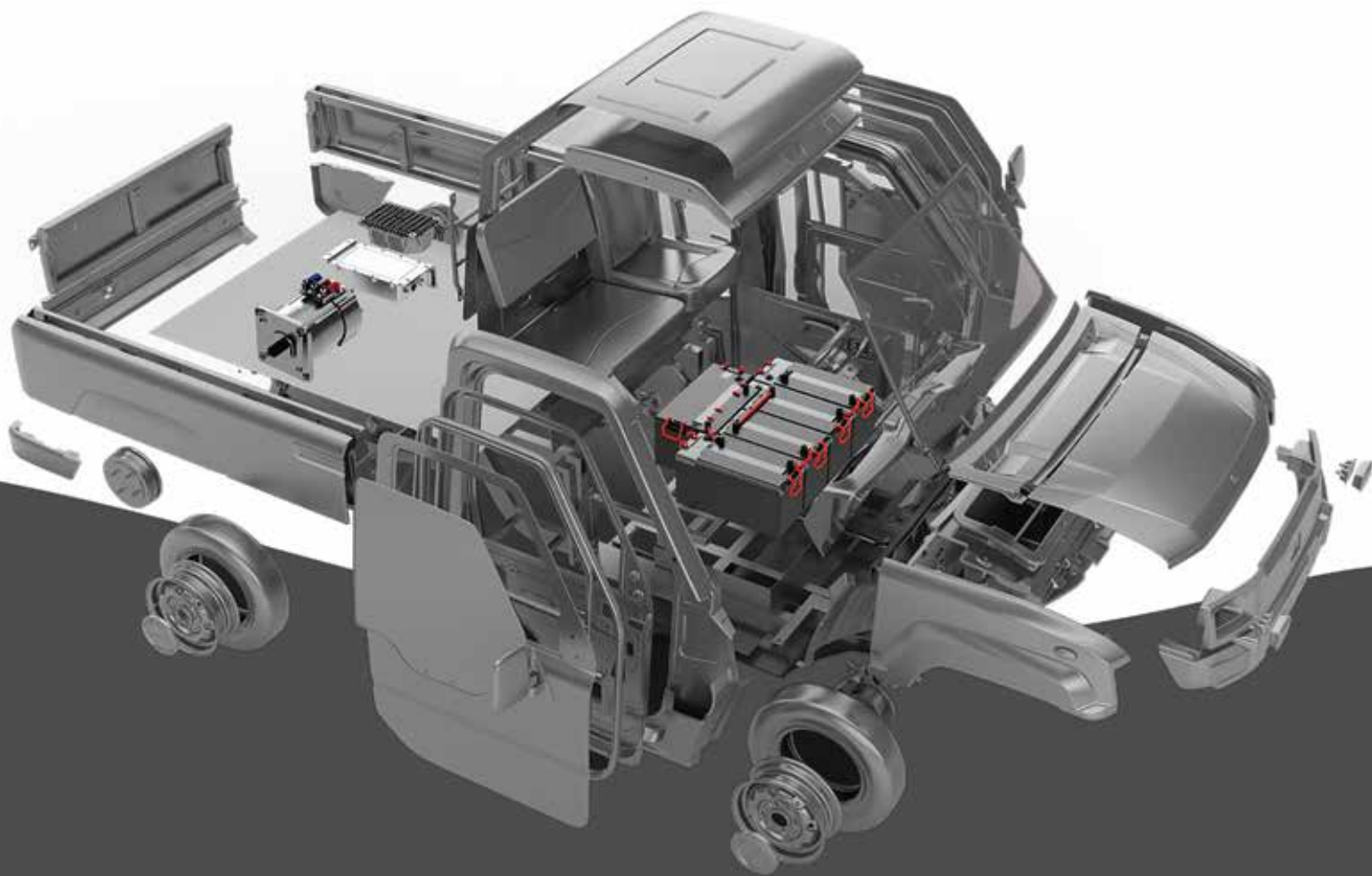
Pickman
Efficient, powerful and 100% electric



Pickman Interior







Pickman

Patented construction and design

Modular design allows for an efficient and affordable manufacturing process unlike anything the market has ever seen. Kaiyun Motors has developed its own assembly and construction methods that are revolutionizing the way automobiles are built. The end result is a better product for our customers and the future.

To ensure maximum safety, the metal built on our modular ladder frame chassis is stamped and welded together. Before proceeding to painting and final assembly, the entire chassis is immersed in an anti-corrosion bath. The closed construction is stronger and safer than others in this class - passengers and cargo experience special, increased protection.



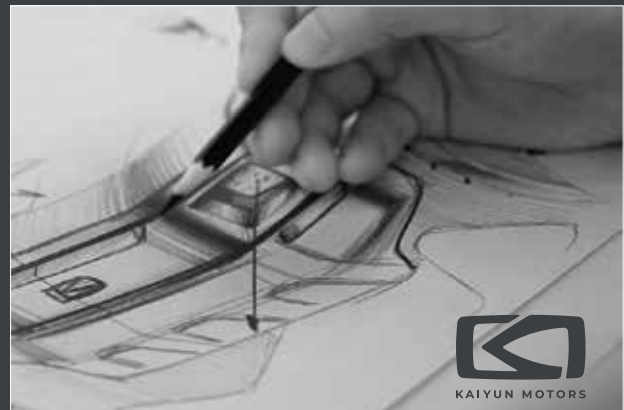
KAIYUN MOTORS

KAIYUN MOTORS Group is a subsidiary of CSG DESIGN, which also develops vehicle designs for the Hongqi brand, the Chinese alternative to Rolls-Royce.

Kaiyun Motors has been dedicated to the design and development of new electric vehicles since 2013.

Trendsetting design concepts and development achievements have recently attracted enormous attention from the mass media and potential customers.

With the Pickman models, Kaiyun Motors offers a viable and highly efficient transportation solution for short-distance travel.



Technical data

Pickman	CLASSIC	CARGO
Weight (kg)	710	780
Payload (kg)	600	550
Passengers	2	2
Maximum speed		
speed (km/h)	50	50
Max. Gradient (%)	20	20
Turning circle (m)	≤9	≤9
Ground clearance (mm)	≥150	≥150
DIMENSIONS		
Height (mm)	1.550	1.680
Width (mm)	1.370	1.370
Length (mm)	3.570	3.570
Wheelbase (mm)	2.315	2.315
LOADING AREA		
Height (mm)	300	995
Width (mm)	1.245	1.230
Length (mm)	1.620	1.525
Volume (m3)		1,87

EQUIPMENT

Seats adjustable, sun visor, window lifter manual, heating, storage space (front) 39 liters, Media Player, Radio + SD, USB power supply, DC socket, LCD display, charger

CLASSIC CARGO

BATTERY & MOTOR	
Battery type	72V/100Ah VLRA lead acid
Charging time	8 ~ 10h
Max. Range	80 km
Motor type	AC
Rated power	4 kW
DRIVING WHEEL & WHEELS	
Drive	Rear-wheel drive
Front wheel	Independent suspension
Rear wheel	Leaf springs
Brake (front)	Disc
Brake (rear)	Drum
Rim size	12 "steel
Tire	145 R12

COLORS



KAIYUN MOTORS

electric utility vehicles

Christian Jockel, An der Mooseburg 11, 35460 Staufenberg

thePickman.eu